

# AR-721 (H)

## Access Controller



1 bi-color LED and 1 beeper for identification

✦ Built-in Watchdog to prevent system from hanging

TTL serial output for various application and lift control

Auto-lock of the keypad for 30 Sec. after continuous failed operation by 3 times

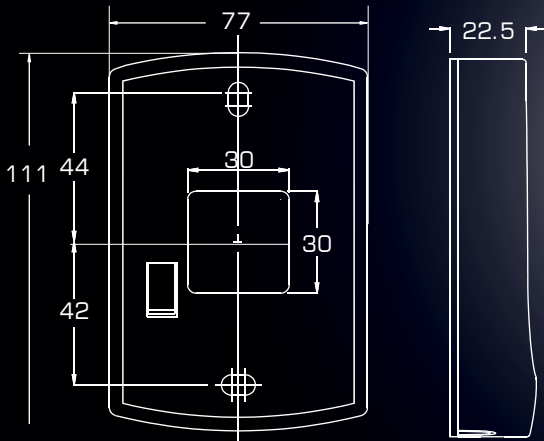
Support further S/W applications such as access control, time attendance, payroll and image-monitor



CE  FC   

RFID solutions • Proximity & Smart cards • Hardware & Software OEM/ODM Service

## Dimensions (mm)



Connect various serial devices



Gateway Control



## Application

Parking Management



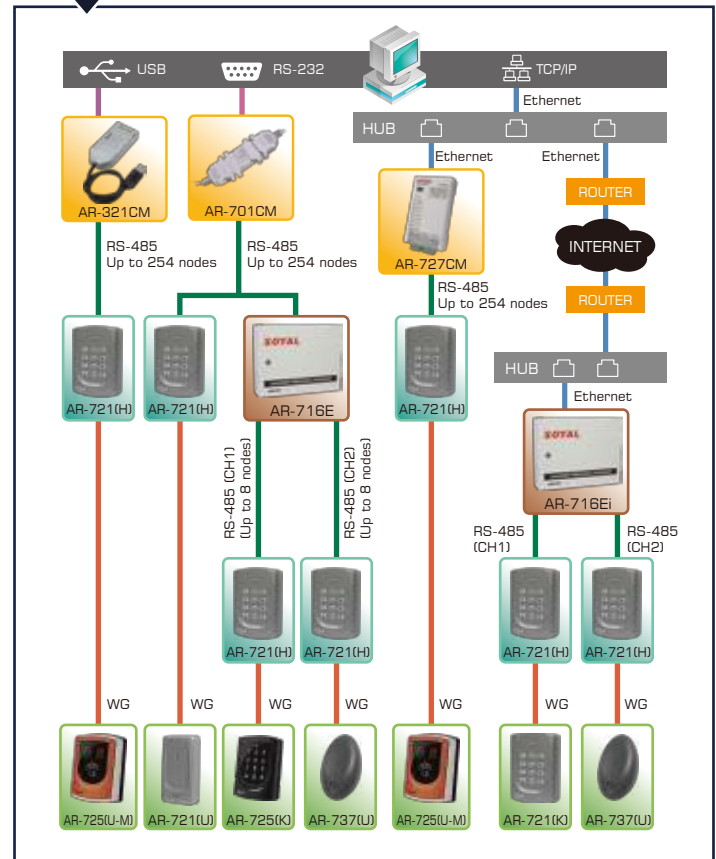
Access Control



## Specification

Frequency	125KHz	13.56MHz
Standard	EM Standard	ISO14443A Option ISO15693 DESFire PSAM NFC
Reading Range ( Depends on Tags )	10-18cm	2-8cm
Power Supply	9-16VDC	
Power consumption	<3W	
Communication Interface	RS-485	
Baud Rate	9600 bps(N,8,1)	
Temperature	-20°C to +60 °C	
Digital Input	Egress(R.T.E.) / Door contact	
Relay Output	Lock Relay	
Lock Relay Time	ON/OFF, 0.1-600 Sec.	
Alarm Time	Toggle, 1-600 Sec.	
Tamper Switch	Limit Switch (Form C)	
User Capacity	M4/M8	1,024
	M6	65,000
Event log	M4/M8	1,200
External Reader	1 Wiegand Port	
Anti-pass-back	Yes ( M4/M8 Only )	
Lift Control	32 Floors, 1,024 Users	
Serial port	Yes	
LCD Panel	No	
Transistor Output	Arming LED (or Security trigger signal) / Alarm / Duress	
Ingress Protection	No	
Indicator	1 Bi-Color LED & 1 Beeper	
Keypad Material	Rubber	
Housing Material	ABS	
Time Zone	11/63(Connect to Multi-Door Networking Controller)	
Operation Mode	Standalone/ Networking	
Color	Gray / Silver	
Dimensions (mm)	111(L)X77(W)X26(H)	
Weight (g)	100±10	

## Structure



## Diagram of single door control

